



Size 2-4



1100mm  
(max door width)

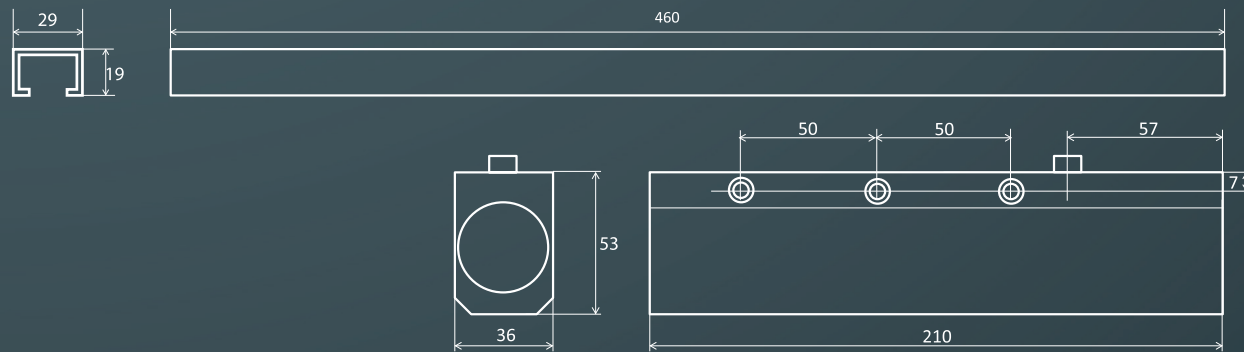
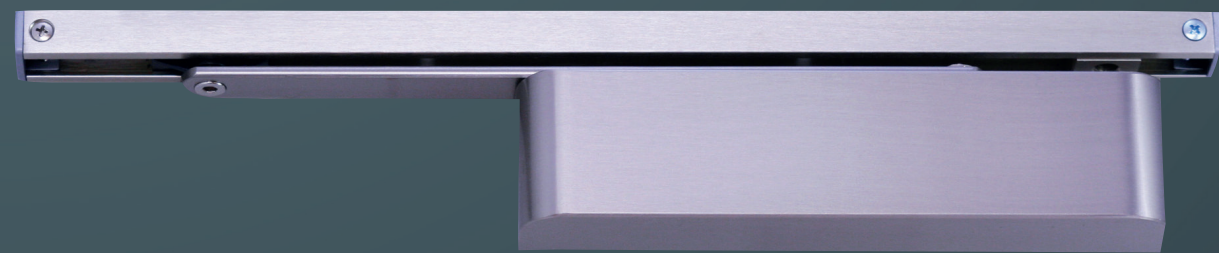


80kg  
(max door weight)



25 Years

# TS6.224 - Size 2-4 Architectural Slimline Cam Action Door Closer



### Product Overview:

A high efficiency, cam action slide arm closer.

Suitable for most application and particularly apartment entrance fire doors where aesthetics is paramount.

Variable power size 2-4.

### Testing & Standards

- Certifire CF6141
- Included in successful fire test to EN1634
- CE marked against EN1154
- UKCA marked against EN1154
- Suitable for use on timber fire doors of up to 120 minutes fire resistance
- Safe in use
- High corrosion resistance

### BS8300 - Approved Document M

The TS6.224 door closer provides exceptional ease of use by reducing the resistance encountered when opening the door. The TS6.224 has an opening force less than 30N at 0-30° and less than 22.5N at 30° - 60° therefore meeting the requirements of BS8300 – Approved Document M.

Specification	EN size	TS6.224
Closing force (Fig 1)	EN size	2-4
Door size (max)	Width (mm)	1100
	Weight (kg)	80
	Length (mm)	210
Body dimensions	Height (mm)	53
	Depth (mm)	36
	Application	Pull side fig 1
Application	Push side fig 66	✓*
	Transom fig 61	✓*
	Mechanism	Cam
Angle of opening		105°
Non handed		✓
Power adjustment by spring		✓
Adjustable sweep speed		✓
Adjustable latch speed		✓

Options	TS6.224
Track hold-open device (not suitable for use on fire doors)	✓*
Mechanical backstop	✓
Mounting plate	✓
* these options are not covered by CE	

Cover options	TS6.224
Semi-radius	✓

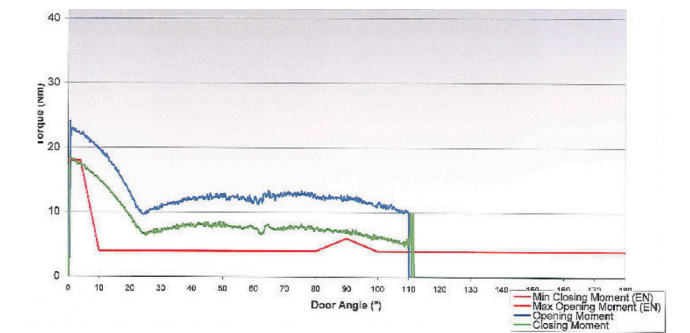
Finish options	TS6.224
Cover & matching guide rail	SIL ✓
	SSS ✓
	PB ✓
	PSS ✓
	RAL/Lacquered ✓
	Special plated finishes ✓

Tested to EN1154 - fig. 1 TS6.224

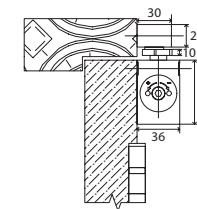


### BS8300 - Approved Document M TS6.224

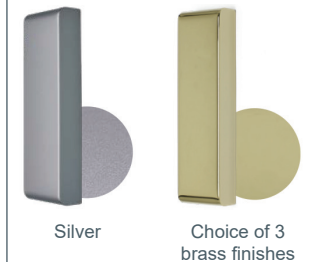
Meets opening force requirements



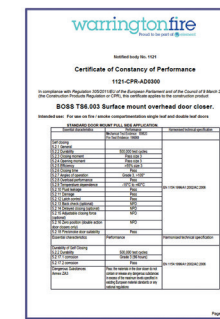
### Mounting dimensions



### Finishes



### CE certificate



### Cover options



Semi radiused cover  
L:253 x H:60 x D:39mm

