

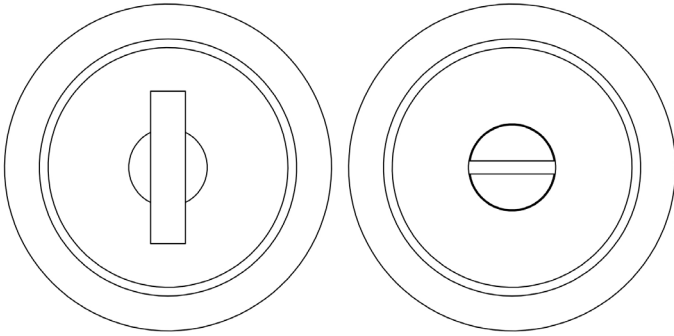
CODE

BUR216

DESCRIPTION

Circular Turn & Release

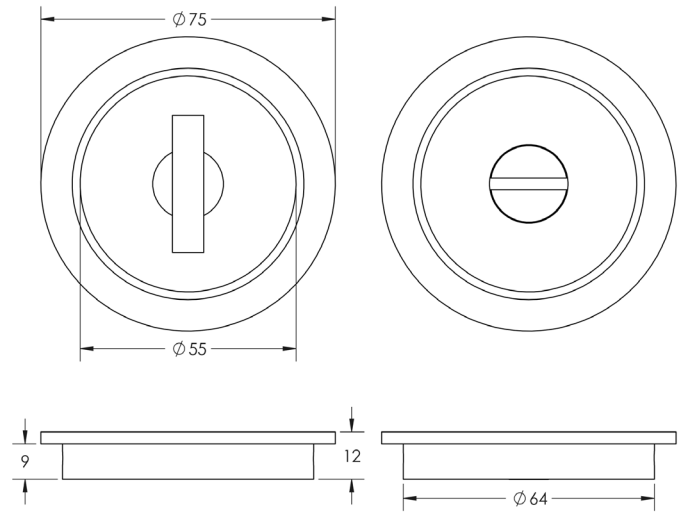
STANDARDS



PRODUCT SPECIFICATION

- Matt lacquered solid brass
- Matches circular flush pull design

TECHNICAL DRAWING



FINISHES

-  Antique Brass
-  Dark Bronze
-  Polished Nickel
-  Satin Brass
-  Satin Nickel