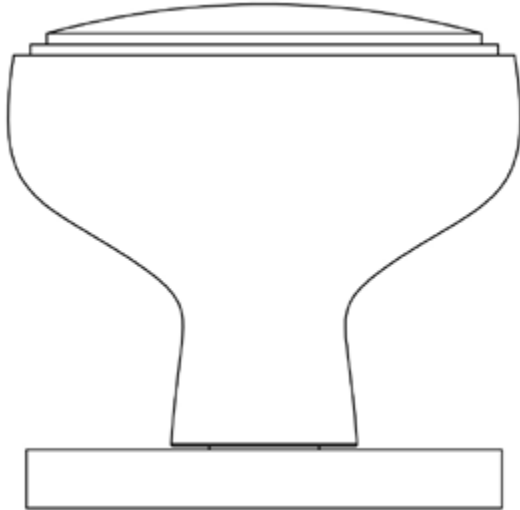


JEDO COLLECTION



CODE

Classic Mortice Knob

DESCRIPTION

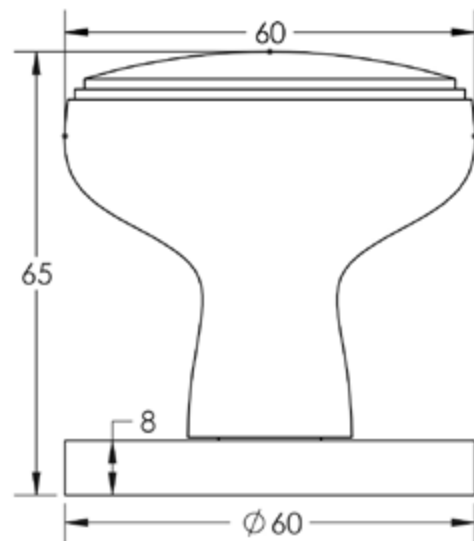
JV801

STANDARDS






PRODUCT SPECIFICATION

- Aluminium
- Grade 4 corrosion
- Unsprung
- *We strongly recommend requesting a sample before committing to any cutting or drilling*

TECHNICAL DRAWING



FINISHES

-  Antique Brass
-  Matt Black
-  Polished Chrome
-  Satin Brass
-  Satin Nickel