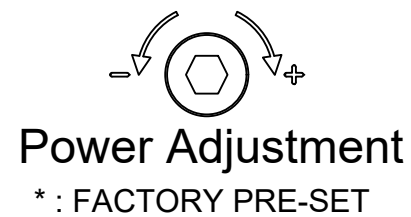


2-4 Model		
N° of Turns	Direction	Size
4	-	2
0	*	3
6	+	4



EN1154		
Door Closer Power Size	Recommended Door Leaf Width Max mm	Test Door Mass (Kg)
1	750mm	20 Kg
2	850mm	40 Kg
3	950mm	60 Kg
4	1100mm	80 Kg
5	1250mm	100 Kg
6	1400mm	120 Kg



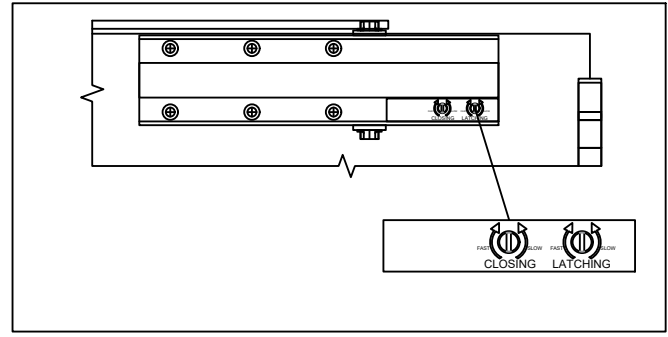
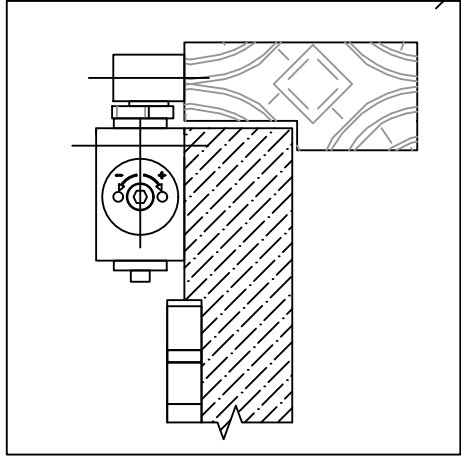
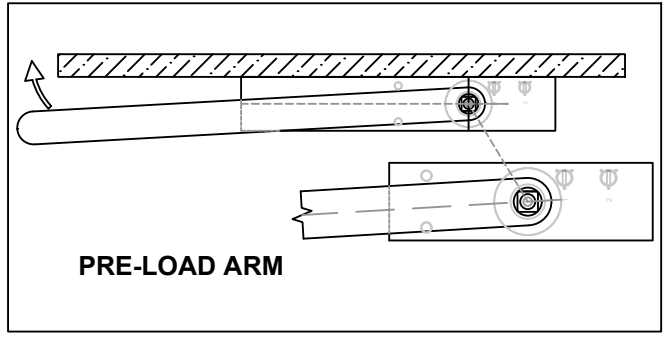
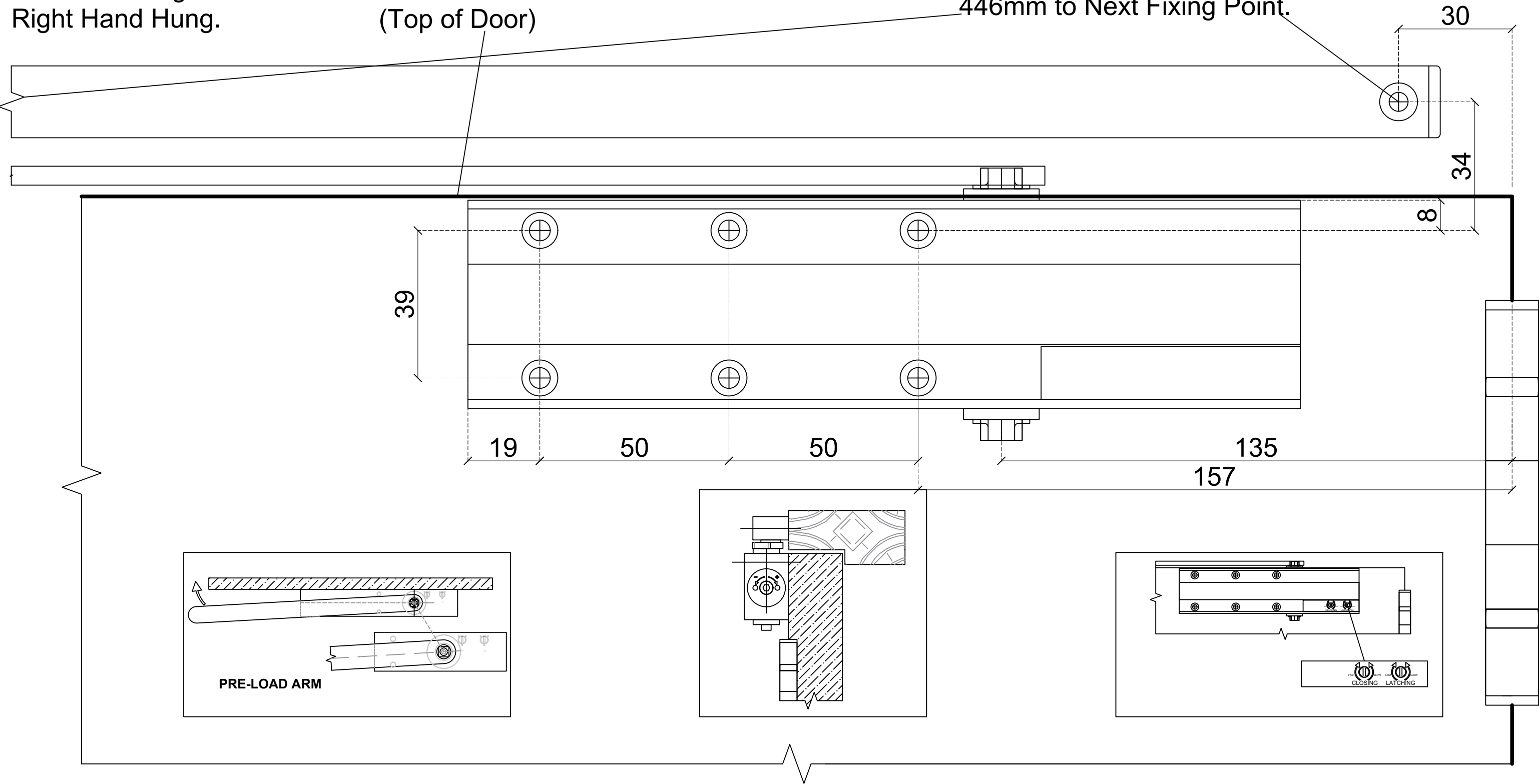
	Boss Door Controls Ltd 3 & 4 Rutherford Square Brucefield Industry Park LIVINGSTON, West Lothian EH54 9BU, United Kingdom	BOSS TS5.225SA
	FIG 1 EN 1154:1996+A1:2002/2006	2017 3 8 2/4 1 1 3



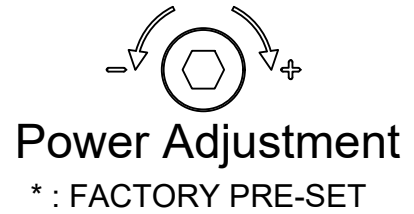
TS5.225SA Fig. 1  
Right Hand Hung.

Fold Line Here.  
(Top of Door)

446mm to Next Fixing Point.



2-4 Model		
N° of Turns	Direction	Size
4	-	2
0	*	3
6	+	4



EN1154		
Door Closer Power Size	Recommended Door Leaf Width Max mm	Test Door Mass (Kg)
1	750mm	20 Kg
2	850mm	40 Kg
3	950mm	60 Kg
4	1100mm	80 Kg
5	1250mm	100 Kg
6	1400mm	120 Kg



	Boss Door Controls Ltd 3 & 4 Rutherford Square Brucefield Industry Park LIVINGSTON, West Lothian EH54 9BU, United Kingdom	BOSS TS5.225SA
	FIG 1 EN 1154:1996+A1:2002/2006	2017 3 8 2/4 1 1 3

